

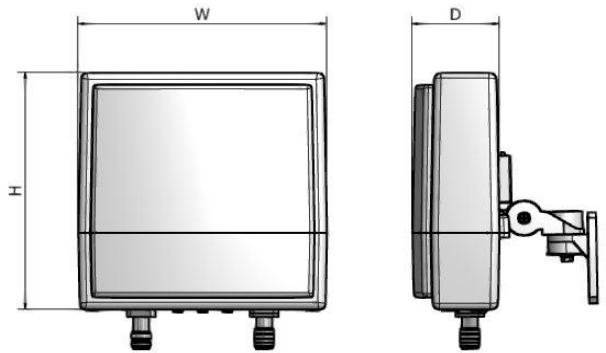
Multi-Band Patch Antenna

824~894 MHz, 1710~2170 MHz, 2300~2690MHz / 5, 7, 8dBi

CPWW-CPBM-578

i. Electrical Specification

Frequency Range	824~894	1710~2170	2300~2690	
Polarization				
Band Width	70MHz	460MHz	390MHz	
Gain	≥ 5 dBi	≥ 7 dBi	≥ 8 dBi	
Beam width	Horizontal	90° ± 20°	70° ± 15°	60° ± 15°
	Vertical	90° ± 20°	70° ± 15°	60° ± 15°
F-B ratio (Horizontal & Vertical)	≥ 18dB			
VSWR	1:1.6			
Isolation	≥ 23dB			
Impedance	50 Ω			
IMD (3 rd /5 th)	≤ -150dBc / -160dBc @ 2x30dBm			
Maximum input power	50 W			



ii. Mechanical Specification

Radom Dimension (HxWxD)	200 x 200 x 69 mm
Weight (Include bracket)	≤ 590 g
Connector Type	N-J (Female)
Radome Material	ASA
Radome Color	Cool Gray 1C
Mechanical Tilt	Up, Down ± 20°
	Left, Right ± 20°
Temperature	-40 °C ~ 70 °C
Packing Size (H x W x D) 10SET	-
Packing Weight 10SET	-

iii. Radiation Pattern

Horizontal Pattern
(Low Band)

Vertical Pattern
(Low Band)

Horizontal Pattern
(High Band)

Vertical Pattern
(High Band)